

# RI 4182

## LAN 1 GBPS

## FEEDTHRU FILTER

Panel mountable and supporting PoE



### OVERVIEW

The RI 4182 is a Feedthru Filter for all types of applications where LAN signals need to be fed through a shielded wall.

### APPLICATION

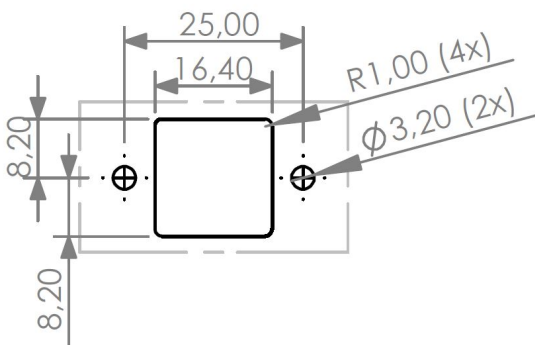
Primarily designed to fit in Ranatec's Shield Boxes but can be used separately.

### ELECTRICAL INTERFACES

The physical connectors are located at each end. The filter is reciprocal, which means that the mounting direction can be either way.

### MECHANICAL INTERFACES

The RI 4182 is prepared for panel mounting with two threaded M3 screw holes. It is delivered with an EMI/RFI shielding gasket for simple and reliable mounting.



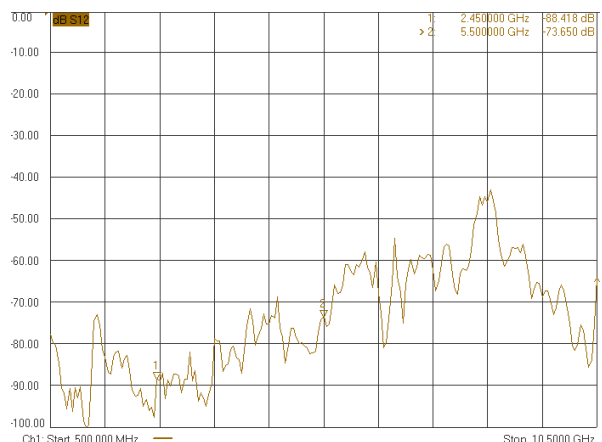
Panel cut-out recommendation (mm)

### FEATURES

- 75 dB filter suppression at 2.4, 5.8 and 7.125 GHz
- LAN 1 Gbps compatible
- Supporting PoE (Power over Ethernet)
- Panel mountable

### SPECIFICATION

Power over Ethernet (max)	50 VDC, 380 mA
Connector front:	RJ45 jack
Connector back:	RJ45 jack
Material:	Aluminium
Dimensions:	36x71x22 mm
Weight:	90g



Typical filter suppression

### ORDERING

RI 4182

LAN 1 Gbps Feedthru Filter