

RI 4193

HDMI FEEDTHRU FILTER

Panel mountable
HDMI feedthru filter



OVERVIEW

The RI 4193 is a Feedthru Filter for all types of applications where HDMI signals need to be fed through a shielded wall.

APPLICATION

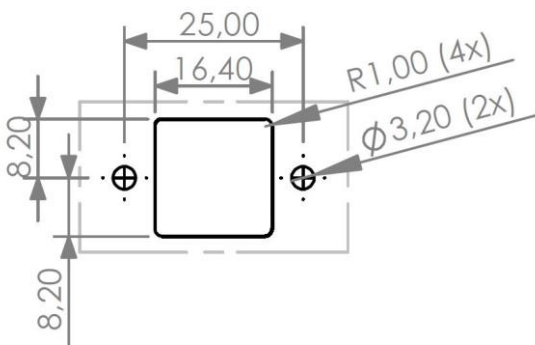
Primarily designed to fit in Ranatec's Shield Boxes but can be used separately.

ELECTRICAL INTERFACES

The physical connectors are located at each end. The filter is reciprocal, which means the mounting direction can be either way.

MECHANICAL INTERFACES

The RI 4193 is prepared for panel mounting with two threaded M3 screw holes. It is delivered with an EMI/RFI shielding gasket for simple and reliable mounting.



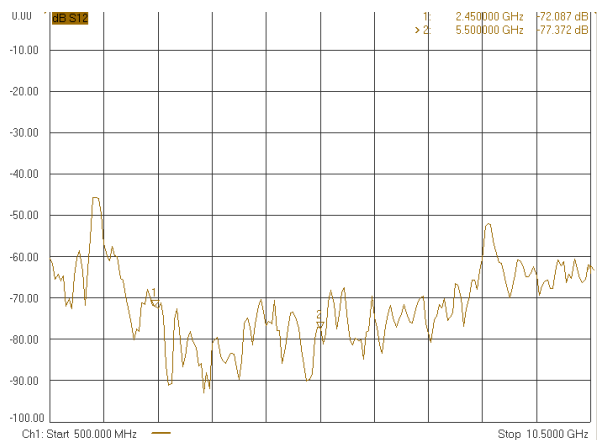
Panel cut-out recommendation (mm)

FEATURES

- 75 dB filter suppression at 5.8 and 7.125 GHz
- Compatible with HDMI 1.4b
- Manages 4K resolution (3840 x 2160)
- Panel mountable

SPECIFICATION

Connector front:	HDMI standard A
Connector back:	HDMI standard A
Material:	Aluminium
Dimensions:	36x67x24 mm
Weight:	90g



Typical filter suppression

ORDERING

RI 4193 HDMI Feedthru Filter